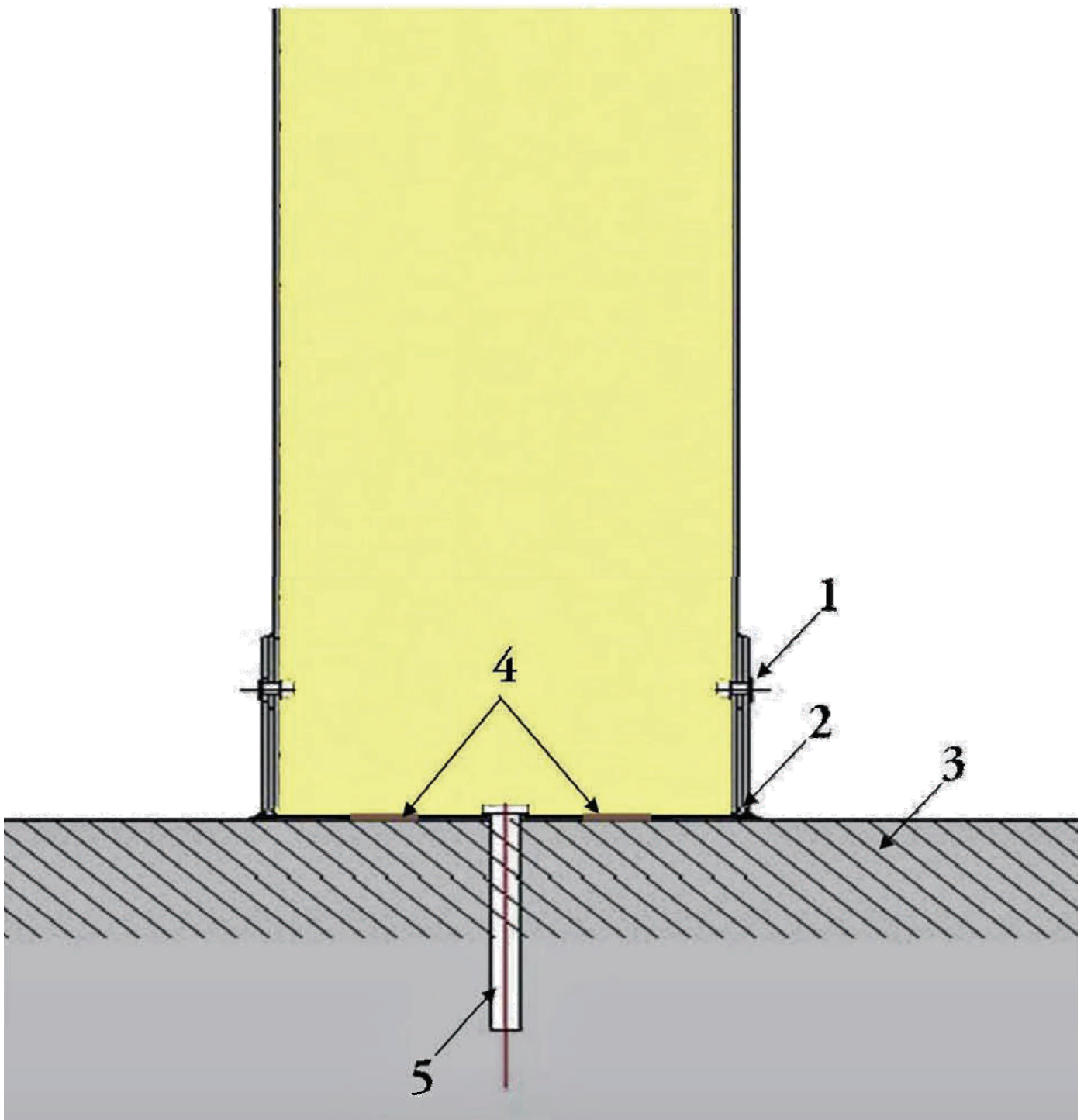


Typical Wall to Floor Detail



1. Rivet
2. Base Channel (Galv or WFSL)
3. Concrete Floor
4. Silicone
5. Hammer In Fixing