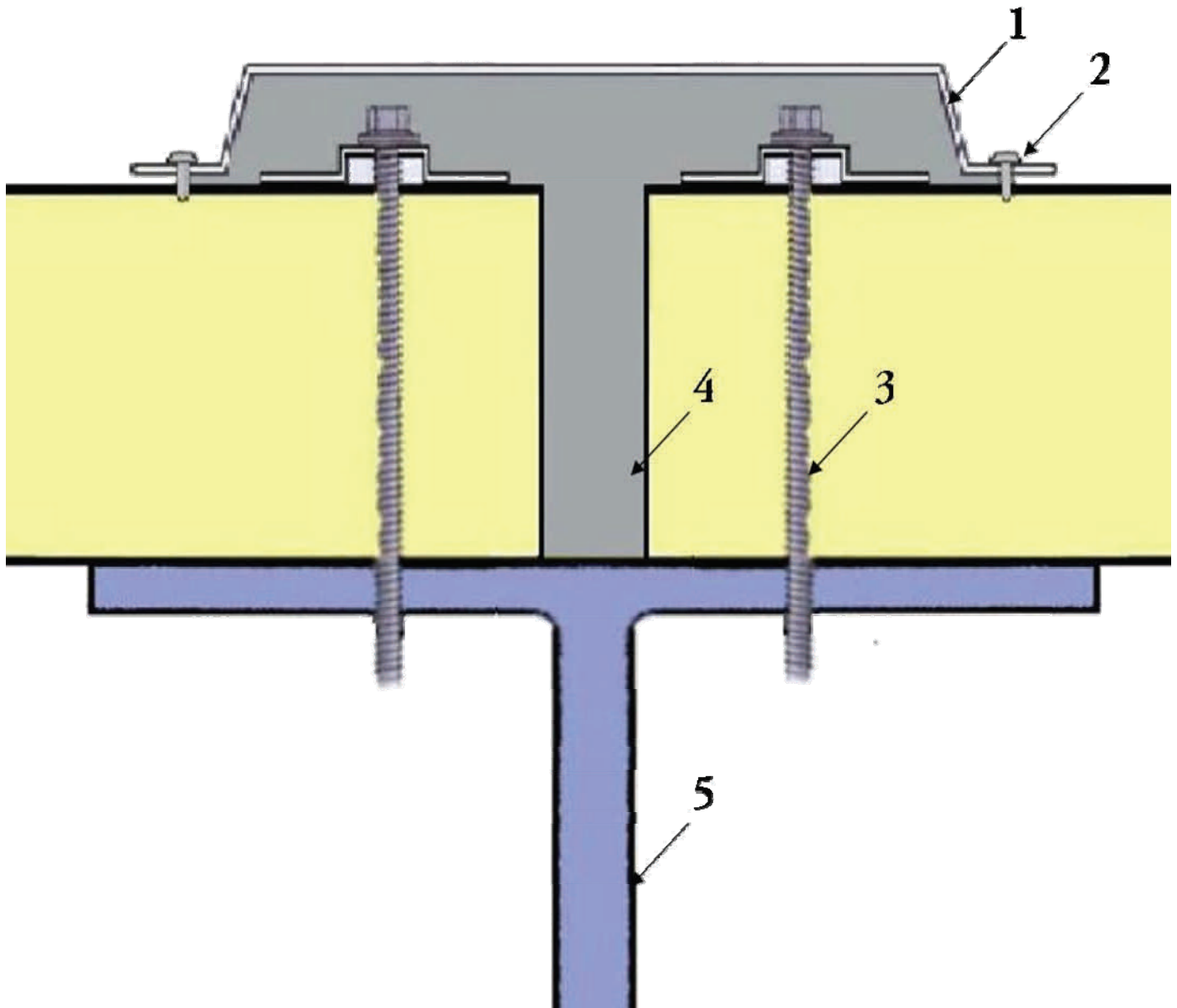


Typical Steel Fixing 2



1. Flashing
2. Rivet
3. Tek Screw Fixed to Steelwork
4. Appropriate Infill of Insulation
5. Steel work (I beam)