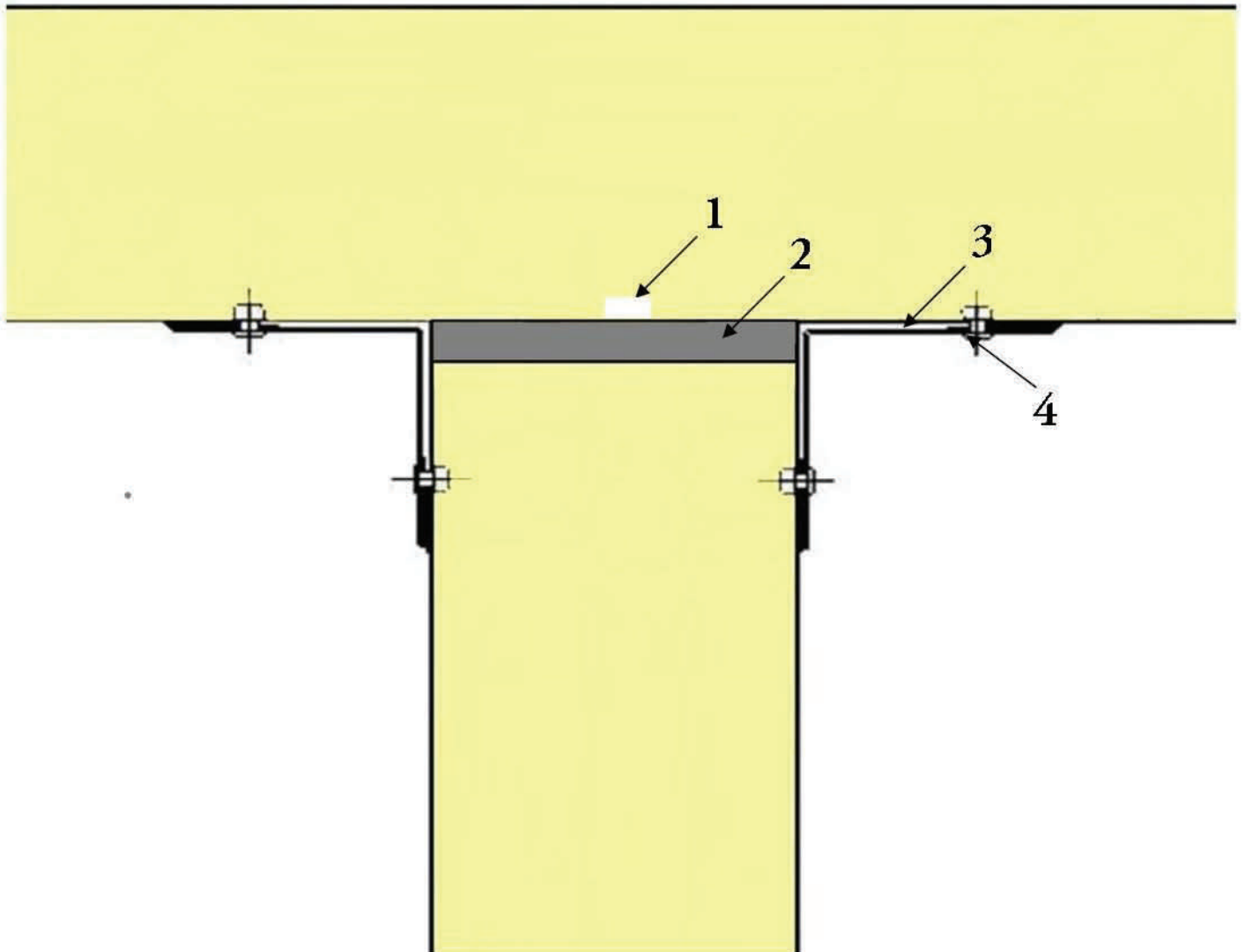


Typical Partition 3 (Joint Freezer Wall / Ceiling)



1. Thermal Break as Required
2. Foam Infill
3. Internal Angle
4. Rivet